

手动升降台

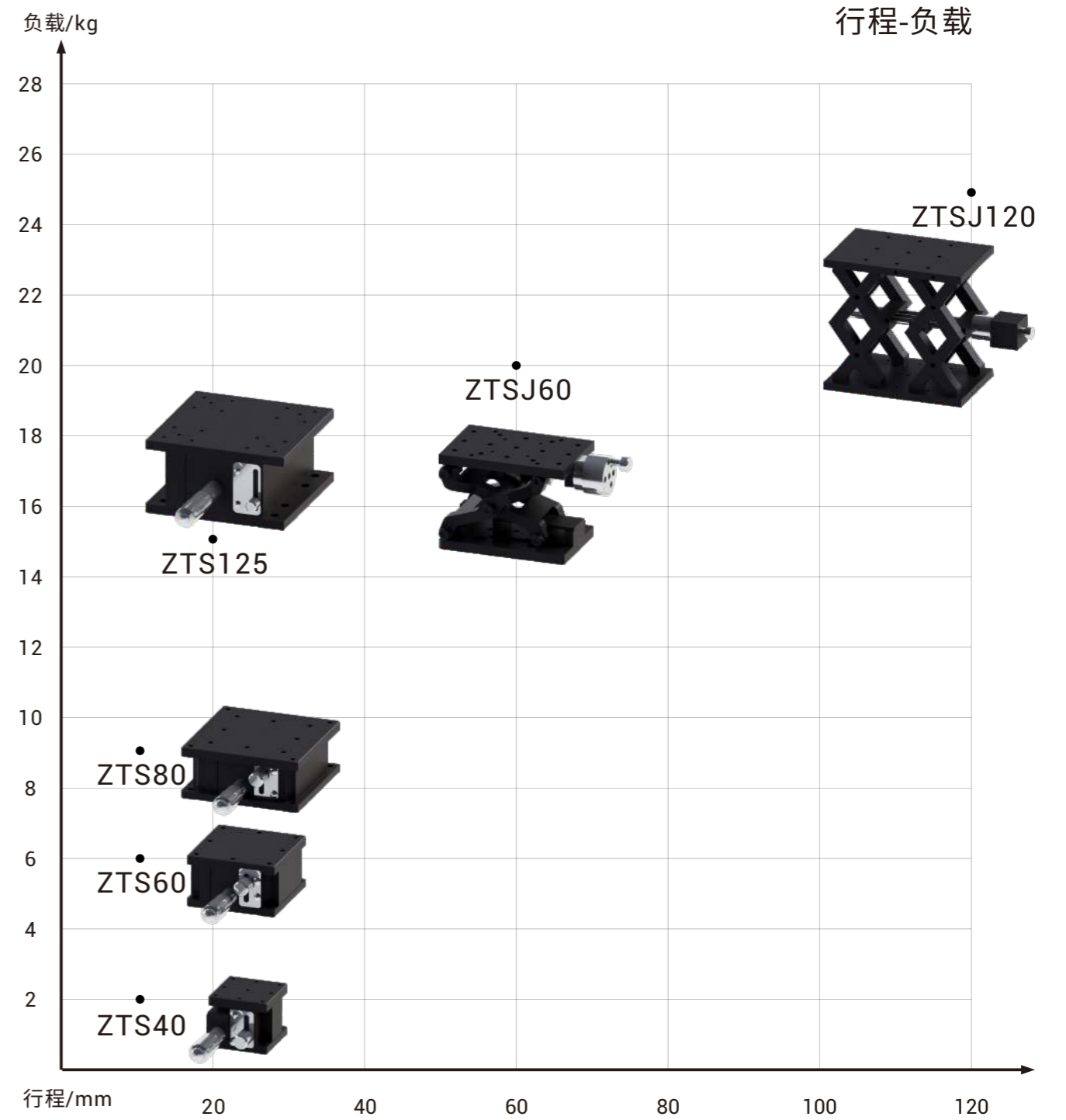
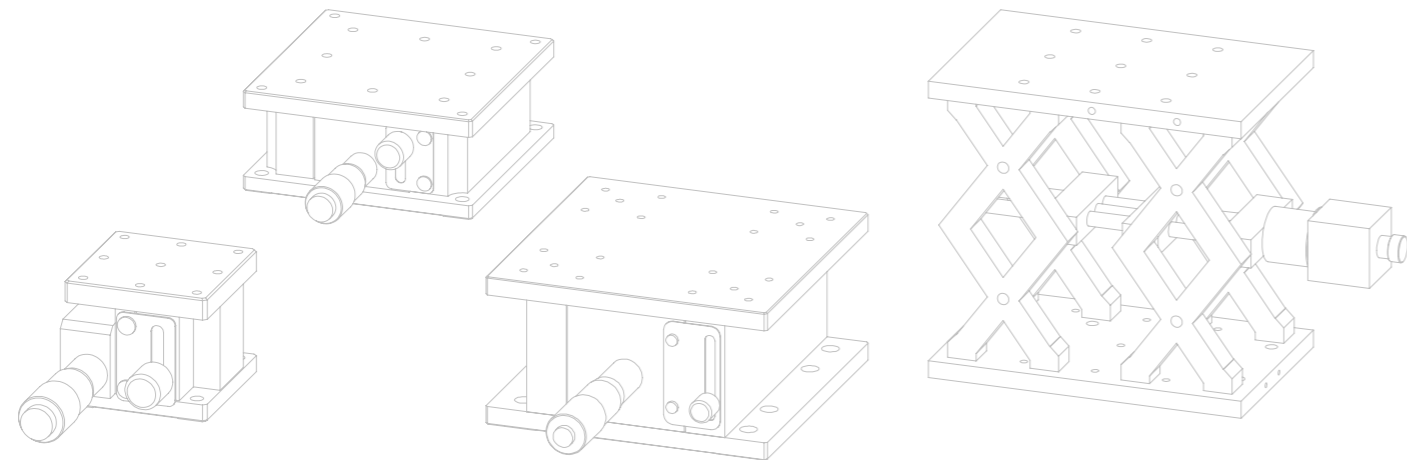
Manual Vertical Stage

ZTS40 ZTS60 ZTS80 ZTS125
ZTSJ60 ZTSJ120



手动升降台-选型表

产品名称 Name	产品型号 Model	图片 Picture	行程(mm) Travel Range	灵敏度(μm) Sensitivity	微分头最小 读数(mm) Min. Differentiator Reading	导轨类型 Rail type	水平负载(Kg) Load Capacity	台面尺寸 (mm) Dimensions
交叉滚柱导轨 手动升降台	ZTS40		10	2	0.01	交叉滚柱导轨	2	40X40
交叉滚柱导轨 手动升降台	ZTS60		10	2	0.01	交叉滚柱导轨	6	60X60
交叉滚柱导轨 手动升降台	ZTS80		10	2	0.01	交叉滚柱导轨	9	80X80
交叉滚柱导轨 手动升降台	ZTS125		20	2	0.01	交叉滚柱导轨	15	125X125
光柱 手动升降台	ZTSJ60		60	/	/	光柱	20	120X80
光柱 手动升降台	ZTSJ120		120	/	/	光柱	25	140X220



手动升降台

Manual Vertical Stage

ZTS40 ZTS60 ZTS80 ZTS125
ZTSJ60 ZTSJ120



手动升降台

Model	ZTS40	ZTS60	ZTS80	ZTS125	ZTSJ60	ZTSJ120
行程(mm)		10		20	60	120
水平负载(kg)	2	6	9	15	20	25
灵敏度(μm)		2				/
平行度(μm)		20				50
驱动方式		微分头			螺纹	
微分头最小读数(mm)		0.01				/
导轨类型		交叉滚柱导轨			光柱	



- 主体材料为铝合金,质量轻、耐用性好、外形美观
- 采用交叉滚柱导轨,可实现高精度、平滑的移动
- 采用剪式升降机械结构,行程大,负载能力强

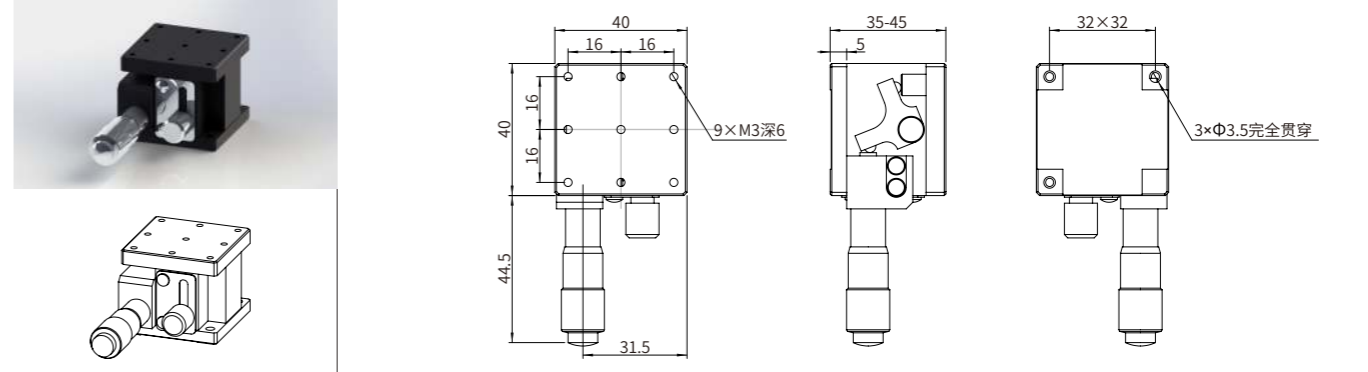
产品简介 OVERVIEW

ZTS系列是菲克科技开发的超高精密手动升降台,可提供多种规格以应对不同的使用场景及需求。产品主体材料采用铝合金,表面阳极氧化处理,强度较高、耐磨性好、外形美观。一种采用交叉滚柱导轨,精密微分头驱动,负载能力强,耐用性好。配合菲克科技精密加工工艺,使该系列产品具有不大于 $2\mu\text{m}$ 的高灵敏度,并且运行平顺,无跳动现象。产品主体材料为铝合金,质量轻,可内置于其他装置,适合对负载能力、运动精度等要求较高的情况下使用。另一种采用剪式升降结构,精研丝杆驱动,具有自锁功能,结构稳定,调节方便快捷,适用于大行程粗定位的手动调节场合。

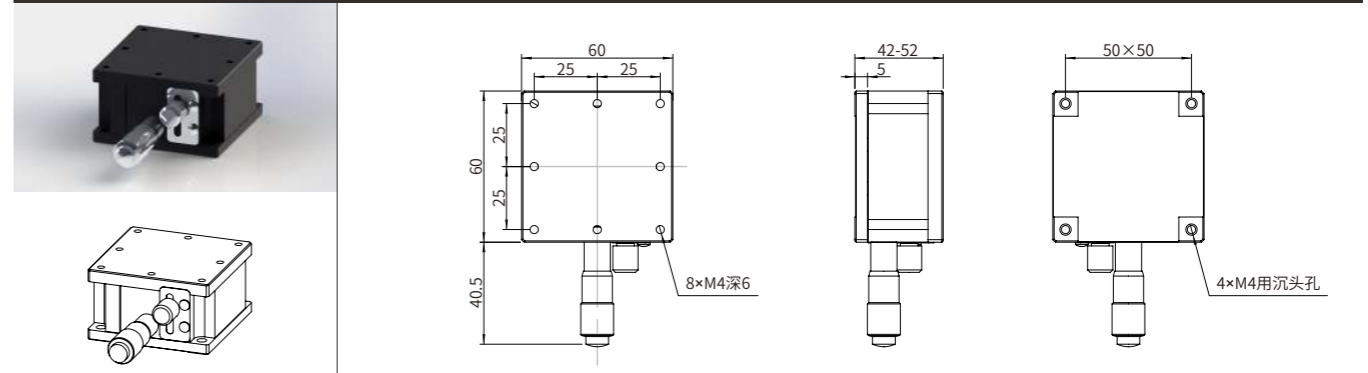
The ZTS series ultra-high-precision manual vertical stage developed by Feinixs can provide a variety of specifications to be used different usage scenarios and needs. The main material of this products is made of aluminum alloy, and the surface is anodized, which has high strength, good wear resistance and beautiful appearance. One uses cross-roller guide, precision differentiator head drive, heavy load and good durability. With the precision processing technology of Feinixs, this series of products has a high sensitivity of not more than $2\mu\text{m}$, and runs smoothly without jumping. The main material of this series of products is aluminum alloy, which is light in weight and can be built into other devices. It is suitable for use in situations with high requirements on load capacity and motion accuracy. The other uses scissor lift structure, driven by fine grinding screw, with self-locking function, stable structure, convenient and quick adjustment, suitable for manual adjustment occasions with large stroke and rough positioning.

产品图纸 DIMENSIONS

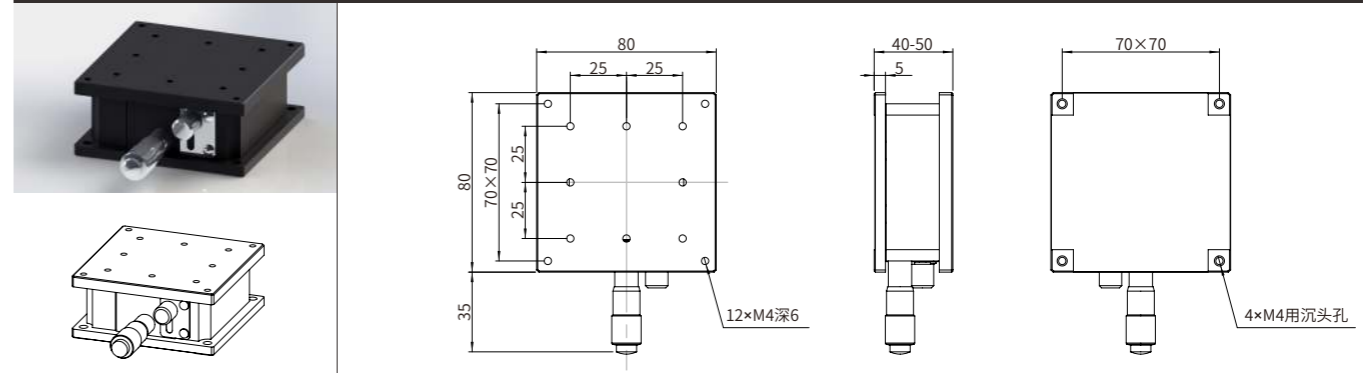
ZTS40



ZTS60



ZTS80



手动升降台

Manual Vertical Stage

ZTS40 ZTS60 ZTS80 ZTS125
ZTSJ60 ZTSJ120



产品图纸 DIMENSIONS

ZTS125

ZTSJ60

ZTSJ120

产品参数 SPECIFICATIONS

Model	ZTS40	ZTS60	ZTS80	ZTS125	ZTSJ60	ZTSJ120
行程(mm)	10			20	60	120
水平负载(kg)	2	6	9	15	20	25
位移方向	Z轴					
灵敏度(μm)	2			/		
平行度(μm)	20			50		
驱动方式	微分头			螺纹		
微分头最小读数(mm)	0.01			/		
导轨类型	交叉滚柱导轨			光柱		
主体材料及表面处理	铝合金, 阳极氧化					
台面尺寸(mm)	40X40	60X60	80X80	125X125	120X80	140X220
厚度(mm)	35-45	42-52	40-50	66-86	60-120	90-210
自重(kg)	0.17	0.39	0.57	1.98	1.15	4.6